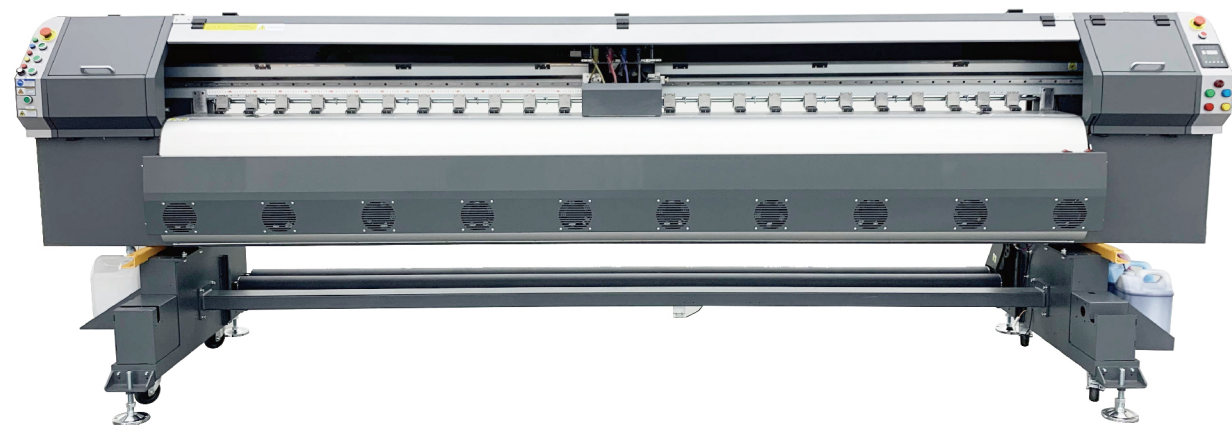




512i 30PL

# C45 C3204Si30

Konica 512i 4H Printer  
柯尼卡 512i 4头 打印机



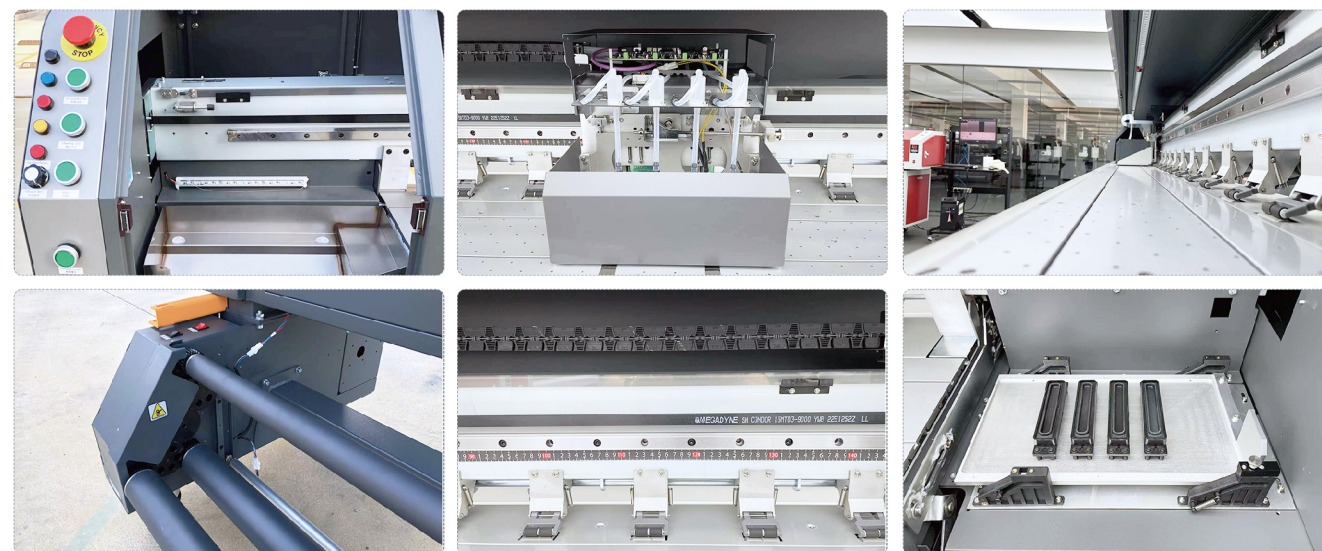
**120** m<sup>2</sup>/h

### Printing Speed

DPI	PASS	SPEED
480X360	2	120m <sup>2</sup> /h
480X720	3	80m <sup>2</sup> /h
480X1080	4	62.5m <sup>2</sup> /h

### Package Size

	N.W	700KGS	G.W	835KGS
Machine Size	4.6*0.97*1.47M			
Whole Package	4.7*1.15*1.58(8.54CBM)			
Seperate Package	4.8*0.75*1.13 1.05*0.95*0.55(4.62CBM)			
Container Capacity	20GP can load 6 pcs 40HQ can load 12 pcs			



### Basic Configuration

- BYHX KM512i 4H board
- HOSON Ultra Print software
- 4200MM Metal beam for carriage
- Single THK linear guide with 2 sliders
- 180DPI Encoder stripe with sensor
- Manual screw type carriage lifting system
- Anti collision system
- Unique printhead protection stack
- Suction type waste ink tank
- 24 PCS high precision aluminum made pinch roller
- High quality 171mm wide printing bed
- Adjustable vacuum for printing bed
- Belts& Pulley system
- Metal Brackets
- Positive pressure ink supply system
- Individual ink purging system
- Ink supply alarm system
- 4 in 1 Heating control system
- Rear-Printing bed-front heater
- Subtank heater
- 2000W on/off Infrared drying system
- LED lights at cleaning position and printing bed
- Multiple function feeding system

### 标准配置

- 北京博源恒芯板卡
- 汉森锐彩软件
- 4200MM标准钣金梁
- 日本THK静音导轨+2个滑块
- 180DPI光栅解码系统
- 手动螺杆式小车升降系统
- 喷头防撞挡片
- 墨栈保湿系统
- 带吸风的废墨盒
- 24个高精度铝合金支架压轮组件
- 171毫米宽的打印台板
- 可调风力材料吸附系统
- 宝塔轮加皮带传动系统
- 精加工钣金电机支架
- 单路正压供墨系统
- 分色压墨系统
- 供墨异常报警系统
- 四合一温度控制面板
- 后罩-平台-前罩-小车底板加热系统
- 二级墨盒加热系统
- 2000W开关式红外线干燥系统
- 打印平台照明系统
- 多功能放料系统

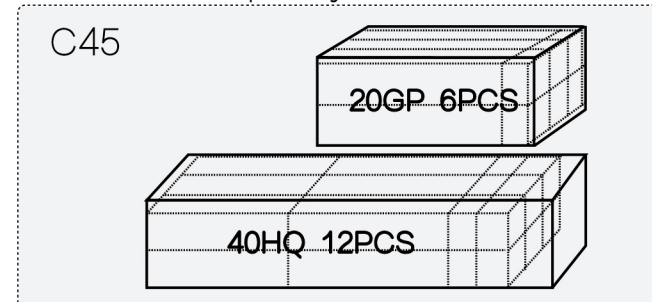
### Optional Configuration

- Upgrade to PhotoPRINT RIP software
- Upgrade to Maintop software
- Upgrade to HOSON Ultra Print software
- Upgrade to 2000W Automatic Infrared system
- Acer 18.5 Inch LCD Screen
- LCD&Key board Bracket
- Basic Roll Material take up system
- Vacuum bag package

### 豪华选配

- 升级到PhotoPRINT RIP软件
- 升级到蒙泰正版软件
- 升级到汉森正版软件
- 升级到2000W智能型红外烘干系统
- 宏基18.5寸显示器(含加长电源线和数据线)
- 铝合金显示器键盘支架
- 基础款喷绘收料系统
- 真空袋包装

### Container Capacity 装柜说明



Remarks:

---



---



---